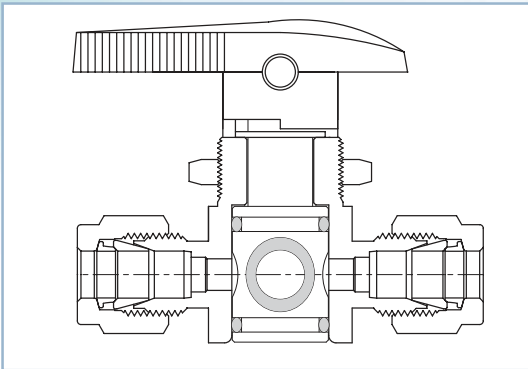


SUPERLOK™

Plug Valve



SPV130 Series



Features

- Pressure Rating up to 3000psig (206 bar) @100°F (37°C)
- Temperature rating -10°F to 400°F (-23°C to 204°C)
- Simple design with one piece body
- 316 stainless steel body materials

Testing

- Each and every valves are tested at the factory.

Technical Data

Material of Construction

Component	Material Grade
Body	SS316
Plug	PTFE-coated SS316
O-rings	PTFE coated fluorocarbon FKM
Handle	Aluminum
Set Screw	Stainless Steel
Snap Ring	Stainless Steel

Pressure-Temperature Rating

Body Material Temperature (°F)	Stainless Steel 316 Working Pressure psig(bar)
-65 (-53) to 100 (37)	3000 (206)
200 (93)	3000 (206)
250 (121)	2000 (137)
300 (148)	1000 (68.9)
350 (176)	1000 (68.9)
400 (204)	1000 (68.9)

SUPERLOK USA

www.SuperlokUSA.com

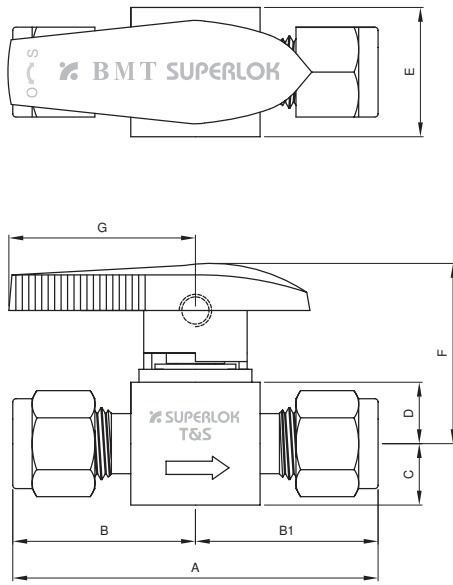
5777 Olivas Park Dr Unit#G
Ventura, CA 93003

805-658-2043

sales@superlokusa.com

SPV130 Series

Standard Style



Panel Mounting Style

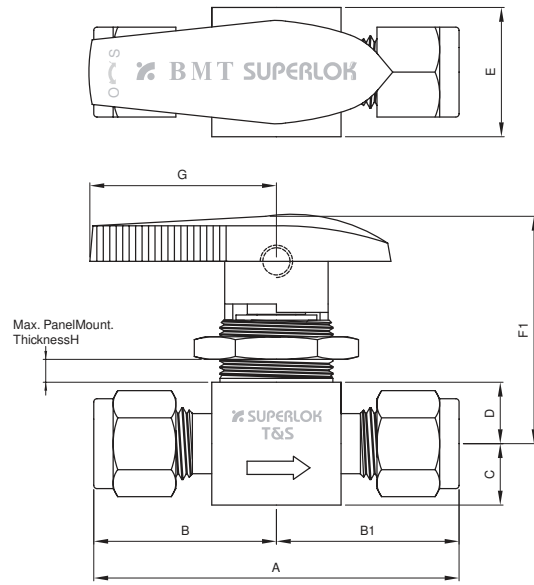


Table of Dimensions

Order Number		Orifice (mm)	CV	End Connection		Dimensions (mm)										
Series	Part No.			Inlet	Outlet	A	B	B ₁	C	D	E	F	F ₁	G	H	
*SPV131	F	2N	4.4	1.2	1/8" Female NPT		45.2	22.6	22.6	9.5	9.5	20.0	27.9	35.5	28.9	6.4
	F	4N		0.9	1/4" Female NPT		53.1	26.6	26.6							
	MF	4N		0.9	1/4" Male NPT	1/4" Female NPT	50.8	24.2	26.6							
	M	2N		1.0	1/8" Male NPT		39.0	19.5	19.5							
	M	4N		1.0	1/4" Male NPT		48.4	24.2	24.2							
	MS	4N4		0.9	1/4" Male NPT	1/4" SUPERLOK	51.2	24.2	27.6							
	S	2	2.3	0.1	1/8" SUPERLOK		50.5	25.3	25.3							
	S	4		1.6	1/4" SUPERLOK		55.1	27.6	27.6							
	S	6M		1.6	6mm SUPERLOK		55.1	27.6	27.6							
*SPV132	F	4N	7.2	4.3	1/4" Female NPT		60.5	30.3	30.3	14.0	14.0	(30)	41.6	53.2	51.7	9.4
	F	8N		2.7	1/2" Female NPT		73.2	36.6	36.6							
	M	8N		2.4	1/2" Male NPT		67.1	33.5	33.5							
	S	8M		6.4	8mm SUPERLOK		67.6	33.8	33.8							
	S	10M		6.4	10mm SUPERLOK		68.1	34.1	34.1							
	S	12M		4.8	12mm SUPERLOK		75.2	37.6	37.6							
	S	6		6.4	3/8" SUPERLOK		67.6	33.8	33.8							
	S	8		4.4	1/2" SUPERLOK		73.2	36.6	36.6							

Dimensions shown with SUPERLOK nuts measure in the finger - tight, where applicable.
 All dimensions are for reference only, subject to change.
 *Ordering numbers that list F1, H dimensions are available in panel mounting style.
 To order, add-P to the series number. Example : SPV131P-S-4